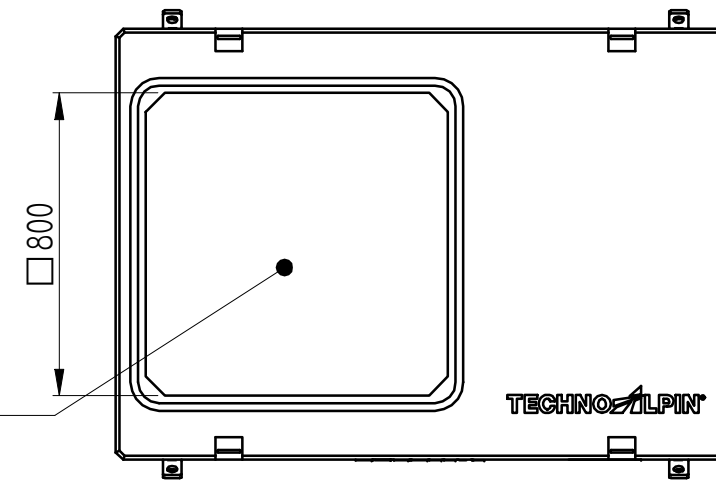
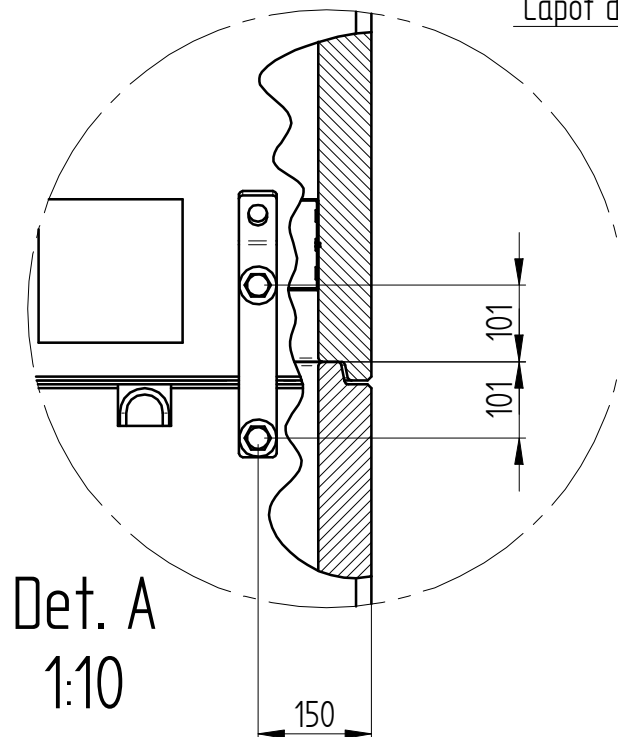


Sez. B-B



Einstiegsluke
Chiusino
Entrance
Capot de regard



Det. A
1:10

Beilage 5

Pos.	Item	Rev.	Item description	Qty
7	SRD05040	00	Plug PVC 5mm with screw TGS 5 4,0x30	5
6	BLS05016	00	Washer M5x15 ZN UNI 6593	5
5	SKEE1348	00	Wiring channel T1-N 120x60 grey RAL7030	10
4	CHRC0010	02	Pit lower part reinforced H	1
3	PQSK0002	01	Sticker Pit indication for mounting	1
2	CHRC0012	00	Kit flange for pit complete	1
1	CHRC0003	02	Pit lid 1 entrance (not reinforced) 800x800 H	1

Revision	Version	Description of the change	Date	Creator	Approver
03	A	CHRC0010 update	18.03.2021	Ambrosini S.	Ambrosini S.
02	A	Added Halfen profiles; substitute logo Technoalpin	01.10.2018	MassimoZ	
01	A	Added cable canal	10.03.2017	Avesani L.	

Scale	1:1	Status of drawing	Item number	Revision	Version	Weight
Dimensioning unit	mm	Creator	CHRC0021	03	A	1802 kg
Projection method	First angle	Create date	Description		Page	
		11.04.2014	Distribution pit f. Mobil-1 holes (entrance 800) H		1/1	
		Approve date			1000K "dfi"	399933
		29.09.2015				

